

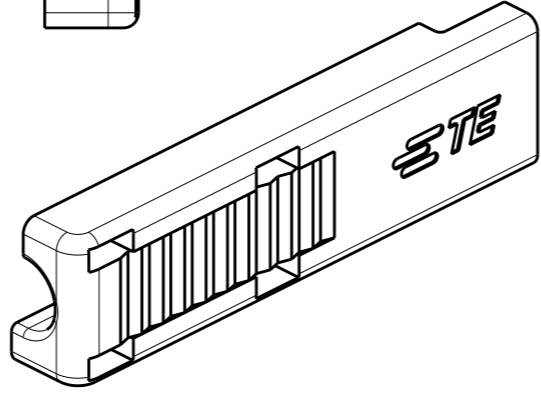
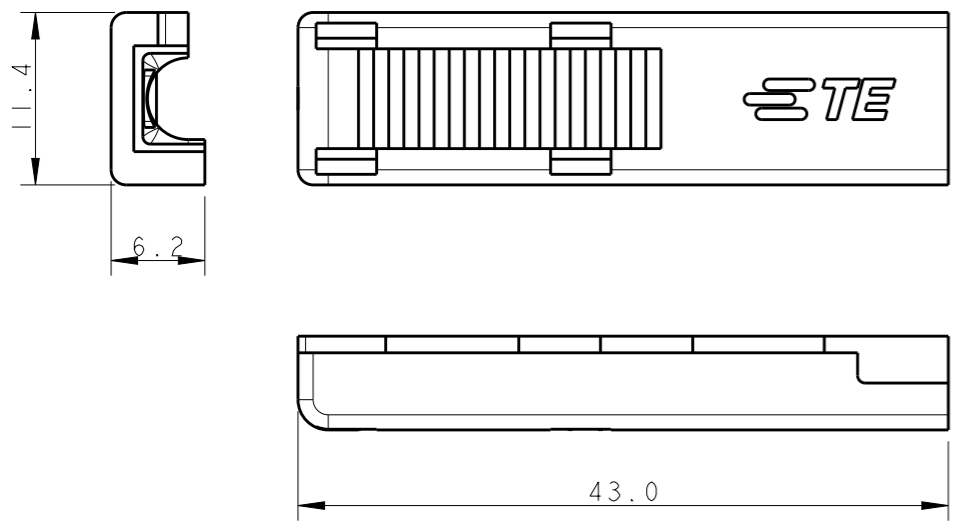
THIS DRAWING IS UNPUBLISHED.

RELEASED FOR PUBLICATION

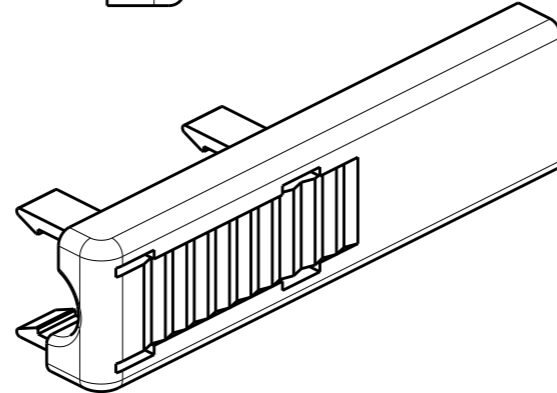
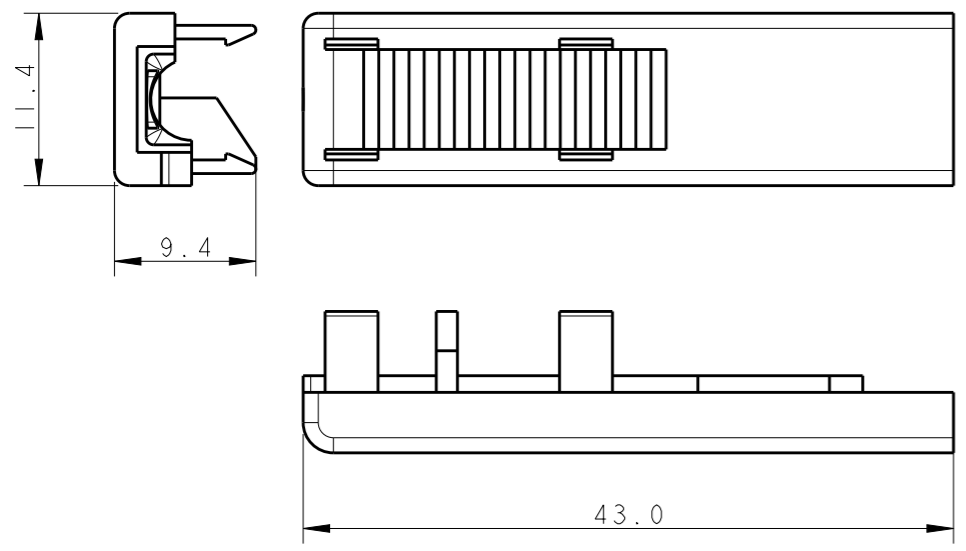
2010

© COPYRIGHT 2010 BY TYCO ELECTRONICS CORPORATION. ALL INTERNATIONAL RIGHTS RESERVED.

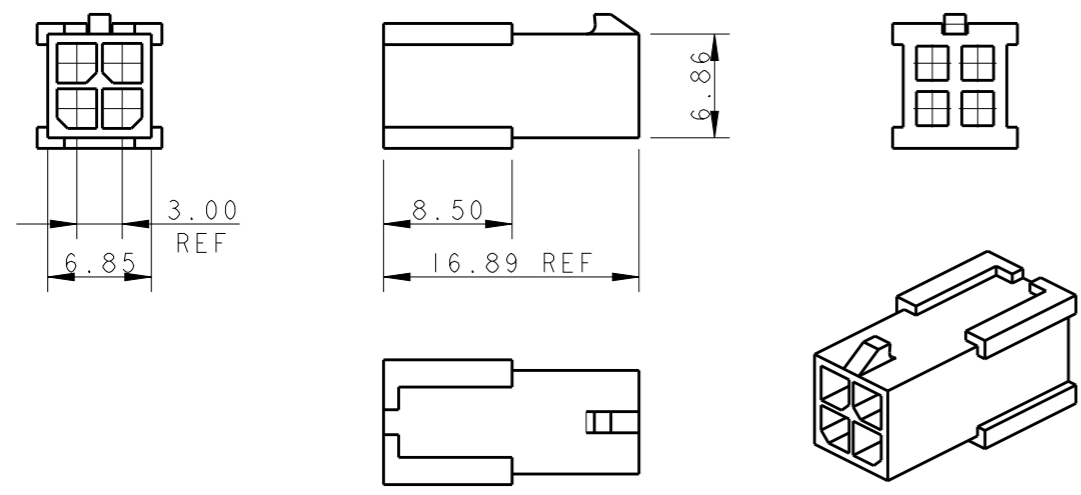
**COVERPART "A"**  
**P/N 293728-1**  
(PART NOT SALEABLE)



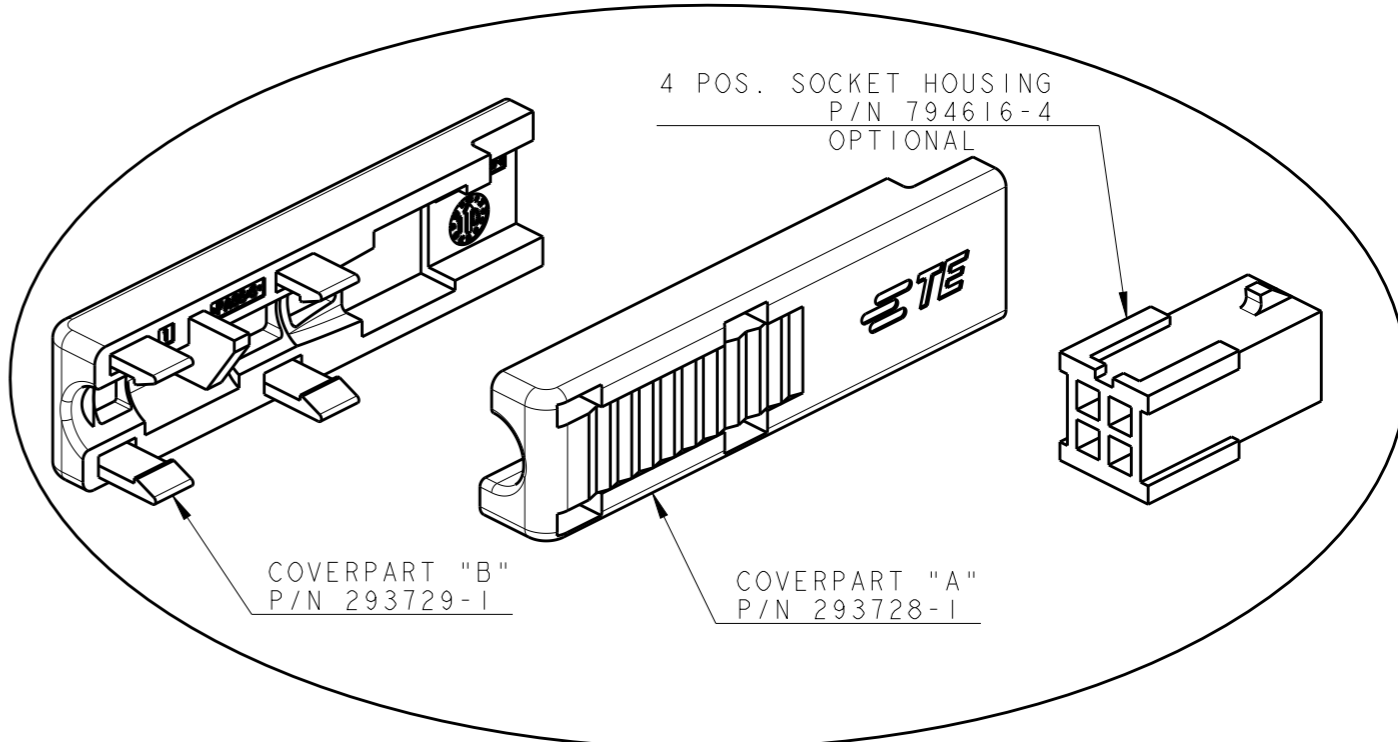
**COVERPART "B"**  
**P/N 293729-1**  
(PART NOT SALEABLE)



**4 POS. SOCKET HOUSING**  
**P/N 794616-4**



LOC	DIST	REVISIONS				
P	LTR	DESCRIPTION	DATE	DWN	APVD	
2		REVISED: GEOMETRY IMPROVEMENTS	02SEP2010	D.C.	G.T.	
3		REVISED: LOGO UPDATE FOR COVERPART "A"	25AUG2011	D.C.	G.T.	
A		RELEASED FOR PRODUCTION	20DEC2011	D.C.	G.T.	
AI		REVISED PER ECR-14-006523	12MAY2014	RS	DD	



**4 POS. COVERPART**  
**P/N 293735**

- PACKAGING: CARTON BOX CONTAINING:
  - N°500 PIECES OF COVERPART "A" P/N 293728-1
  - N°500 PIECES OF COVERPART "B" P/N 293729-1
  - N°500 SOCKET HOUSINGS P/N 794616-4
- ADMITTED CABLES MUST HAVE EXTERNAL DIAMETER OF 5,0±0,2mm AND MUST BE OF THE FOLLOWING TYPE:
  - LiYY 4x0,34mm<sup>2</sup> (MAX. N°4 CONTACTS P/N 794608-1 MUST BE CRIMPED ON THIS CABLE)
  - LiYY 4x22AWG UL AWM STYLE 2464 / 1061 (MAX. N°4 CONTACTS P/N 794608-1 MUST BE CRIMPED ON THIS CABLE)

3 NOT RELEASED FOR PRODUCTION

-	293729-1	293728-1	293735-2	3
794616-4	293729-1	293728-1	293735-1	
PLUG HSG	COVER PART "B"	COVER PART "A"	PART NUMBER	

THIS DRAWING IS A CONTROLLED DOCUMENT FOR TYCO ELECTRONICS CORPORATION. IT IS SUBJECT TO CHANGE AND THE CONTROLLING ENGINEERING ORGANIZATION SHOULD BE CONTACTED FOR THE LATEST REVISION.

DWN D. CHIARELLI 23JUN2010	Tyco Electronics AMP Italia S.r.l. C.so F.lli Cervi, 15 - Collegno (TO)	
CHK D. CHIARELLI 23JUN2010		
APVD G. TURCO 23JUN2010		
DIMENSIONS: mm	TOLERANCES UNLESS OTHERWISE SPECIFIED:	NAME 4 POS. COVERPART FOR 4 POS. MICRO MATE-N-LOK SOCKET HOUSING P/N 794616-4
0 PLC ±0.5	1 PLC ±0.3	PRODUCT SPEC 108-20314
2 PLC ±0.2	3 PLC ±	APPLICATION SPEC 114-20157
4 PLC ±	ANGLES ±°	WEIGHT -
MATERIAL NYLON, UL94-V0 BLACK	FINISH -	SIZE A300779
Customer Drawing		SCALE 2:1
		SHEET 1
		OF 1
		REV AI